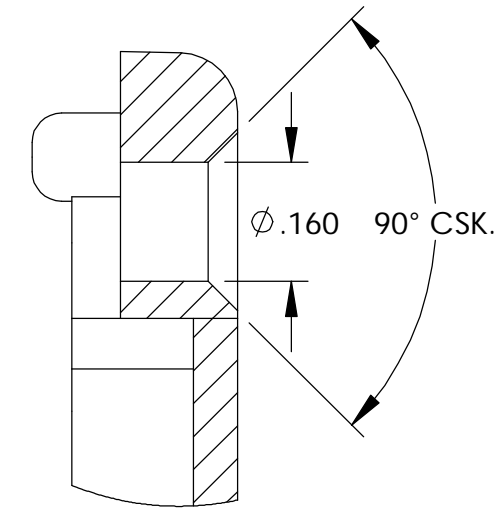


THE INFORMATION CONTAINED IN THIS DRAWING IS THE SOLE PROPERTY OF BUD INDUSTRIES INC. ANY REPRODUCTION IN PART OR WHOLE WITHOUT THE WRITTEN PERMISSION OF BUD INDUSTRIES INC. IS PROHIBITED.

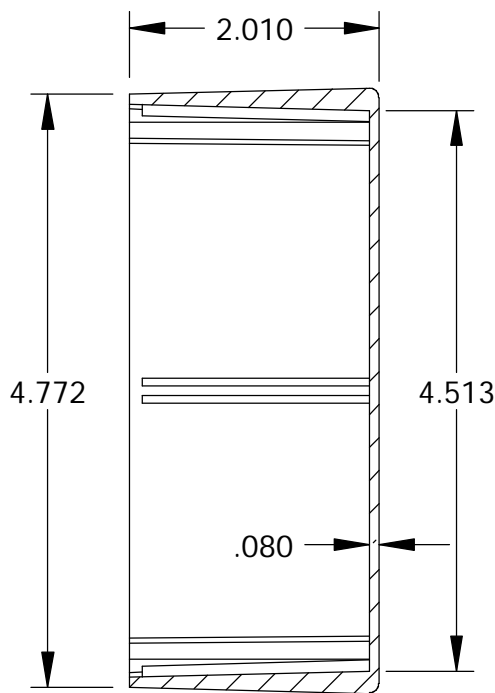
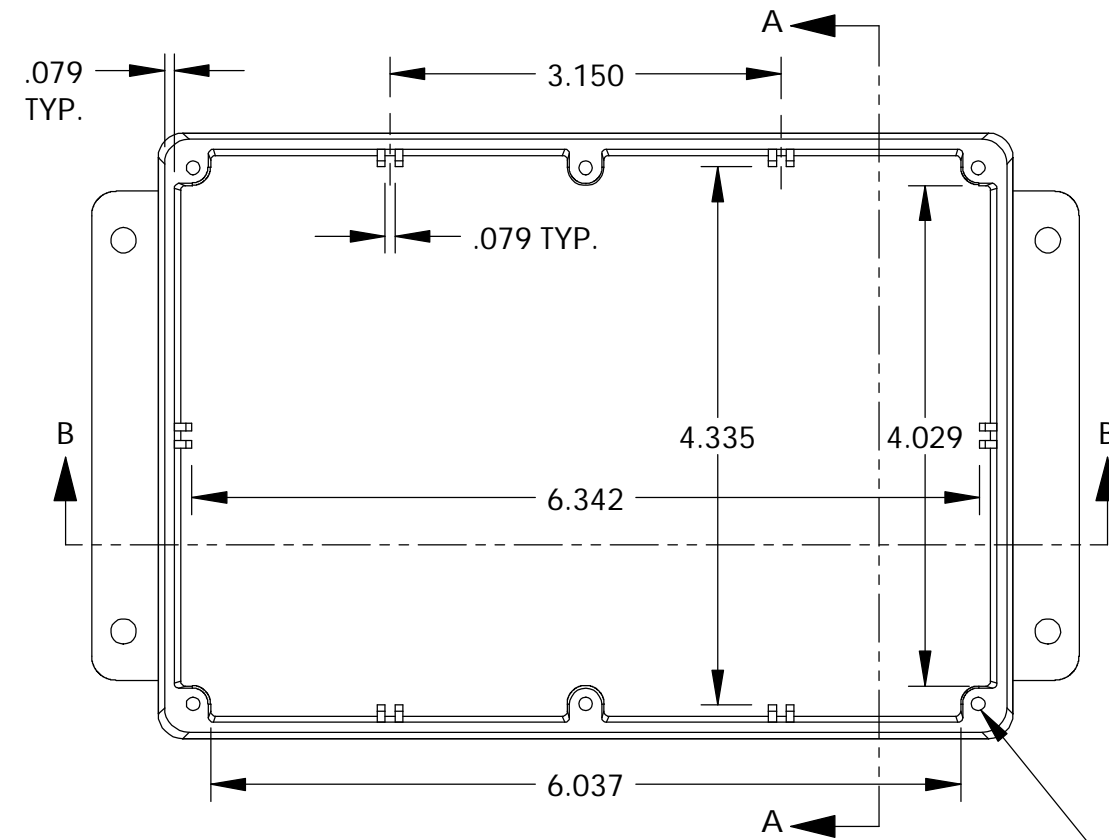
DWG. NO. CN-6709
 ISSUE REVISIONS

MATERIAL - ALUMINUM ALLOY #ADC-12
 FINISH - NATURAL (CONTACT BUD FACTORY FOR ALTERNATE FINISHES)
 GASKET - RATED IP65 NEOPRENE, SELF-ADHESIVE, 3mm THICK, COLOR BLACK
 SCREWS - STAINLESS STEEL, M3.5 x 12mm LG., CSK. HEAD, SELF-THREADING

ALL HOLE DIAMETERS HAVE ±.005 TOLERANCE.
 ALL OTHER DIMENSIONS HAVE ±.015 TOLERANCE.
 ENCLOSURES ARE SHIPPED UNASSEMBLED WITH ALL ITEMS SHOWN.

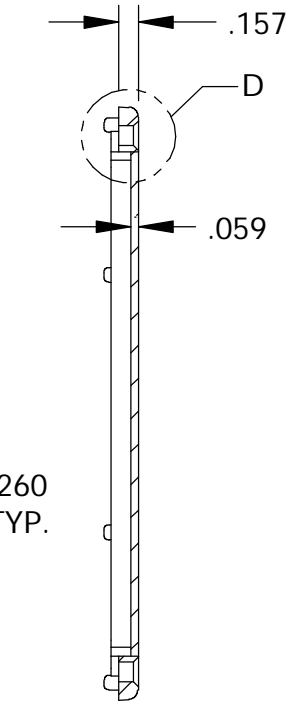
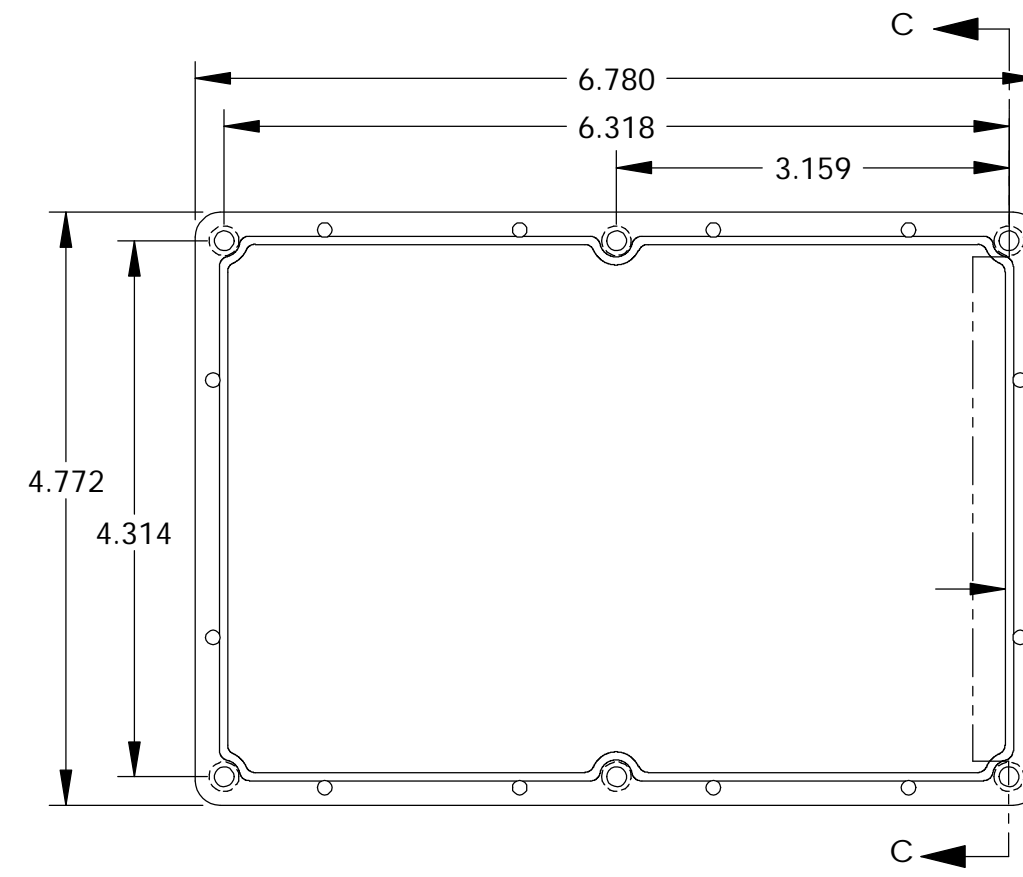


DETAIL D
 SCALE 4 : 1

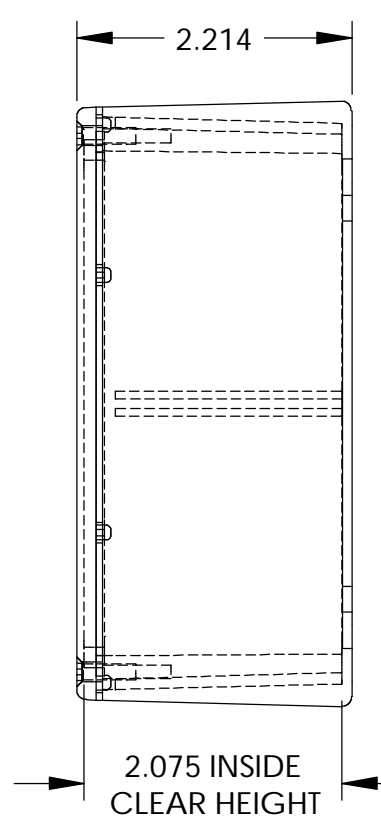


SECTION A-A

TAPPED M3.5 (6x)

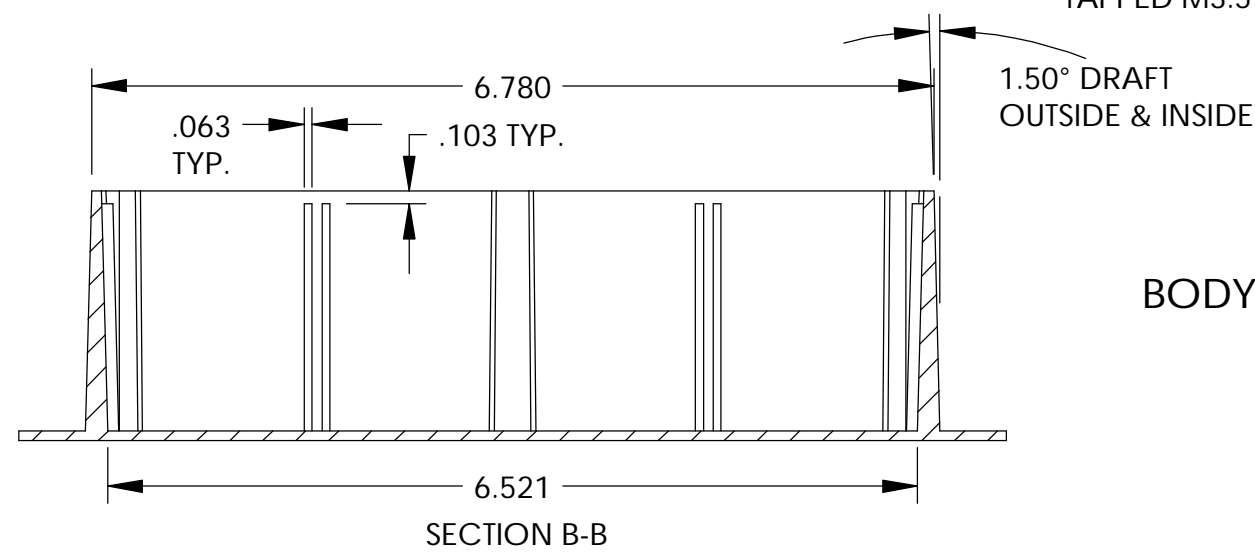


SECTION C-C



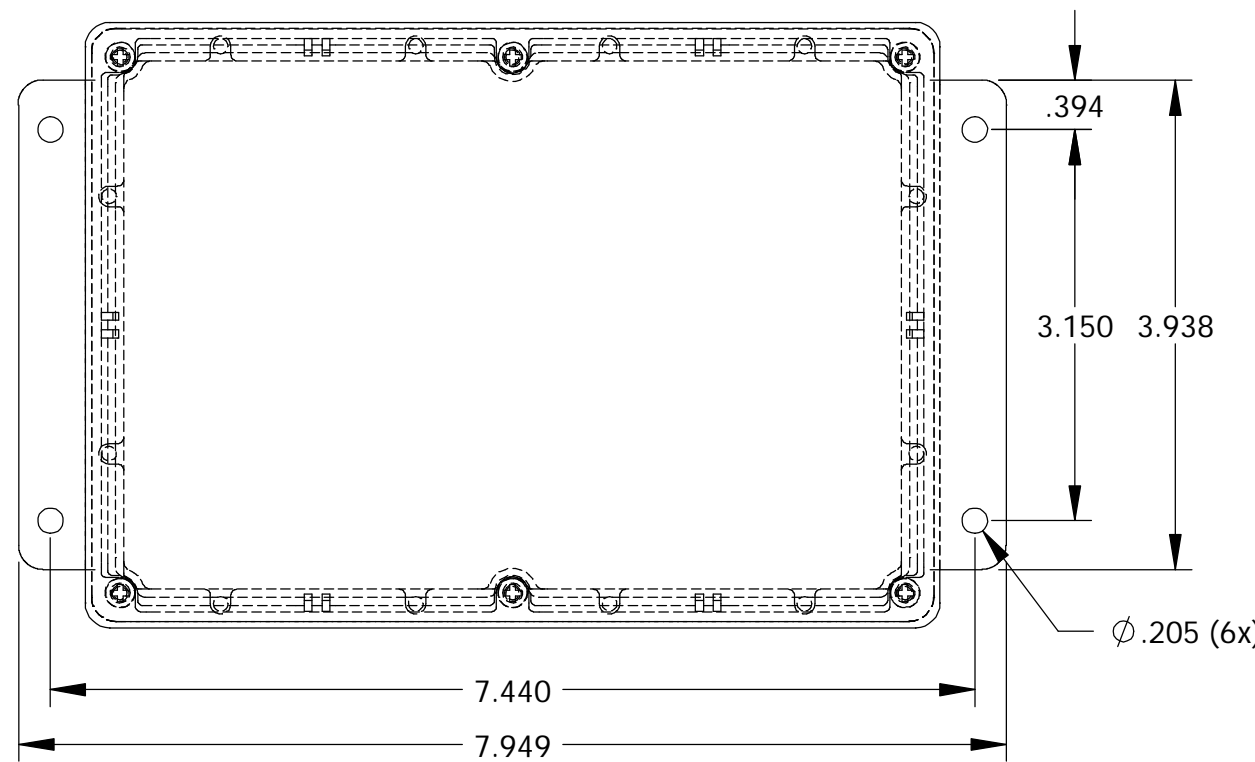
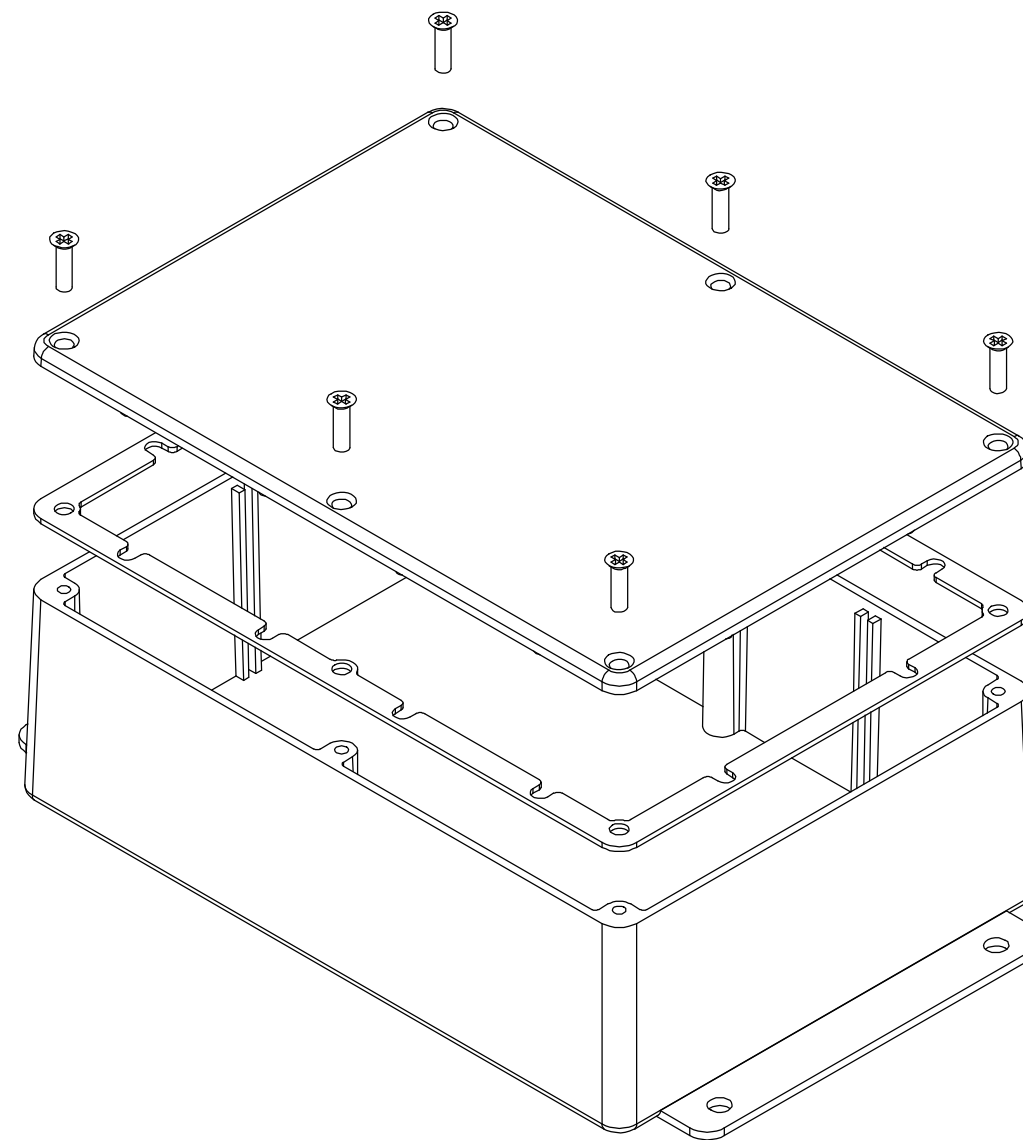
2.075 INSIDE CLEAR HEIGHT

COVER



SECTION B-B

BODY



0.205 (6x)

PARTS LIST			
+/- .005 BETWEEN HOLE CENTERS		CAD GENERATED DRAWING. DO NOT MANUALLY UPDATE	
+/- .015 FROM SHEARED EDGE		APPROVALS DATE	
+/- .032 FROM A BENT SURFACE		DRAWN DAB 4-3-06	
+/- .062 BETWEEN ASSEMBLED SURFACES		CHECKED	
UNLESS OTHERWISE SPECIFIED		APPROVED	
MATERIAL AS NOTED		SCALE	
FINISH AS NOTED		DWG. NO. CN-6709	
DO NOT SCALE DRAWING		REV.	
QTY.	USED ON	SCALE	CAD FILE: SHEET 1 OF 1

BUD INDUSTRIES INC.

DIE CAST ALUMINUM ENCLOSURE

DWG. NO. CN-6709
 REV. SHEET 1 OF 1